



Rubbermaid HYGEN™ PRODUCT USE MANUAL



Rubbermaid HYGEN™



Proven Performance TO ENSURE HEALTHY, SAFE ENVIRONMENTS

- Superior microfiber textiles proven to remove microorganisms¹
- Helps reduce cross-transmission*
- Withstands up to 500 commercial laundings
- Patents pending

Complete System TO MAXIMIZE PRODUCTIVITY AND VALUE

- Reduces chemical consumption up to 95% vs. traditional mopping
- Reduces water consumption up to 90% vs. traditional mopping
- Cleans floors more than 3 times faster than traditional string mops²
- Proven to reduce worker strain
- Unique innovative tools to maximize productivity
- Features legendary Rubbermaid durability

Training & Support TO DELIVER OPTIMAL RESULTS

- Dedicated Rubbermaid HYGEN™ Training Team
- Detailed guidelines for approved cleaning procedures
- Comprehensive on-site implementation and training on topics including:
 - Patient Room Cleaning
 - Operating Room Cleaning
 - MRI Room Cleaning
 - General Cleaning
 - Guest Room Cleaning
 - Classroom Cleaning
- Ongoing training support

PROVEN TO REMOVE OVER 95% of microorganisms¹
(vs. as low as 67% with standard string mops)¹

¹ When used with detergent or QUAT cleaners.
Detergent cleaner w/microfiber mop - 94.5%
Detergent cleaner w/standard string mop - 67.8%
QUAT cleaner w/microfiber mop - 95.3%
QUAT cleaner w/standard string mop - 94.8%
William A. Rutala, Ph.D. M.P.H., ed., *Disinfection, Sterilization, and Antisepsis: Principles, Practices, Current Issues, and New Research*. (Washington, DC: Association for Professionals in Infection Control and Epidemiology, Inc.), 99-101. © 2007 by the Association for Professionals in Infection Control and Epidemiology, Inc.

² *The Official ISSA 447 Cleaning Times Calculator*. (Lincolnwood, IL: International Sanitary Supply Association, Inc.) All Rights Reserved 2003.

*When using color-coded products by area or for specific tasks.

How-To:

- Use Ergo Adjustable Handle4-5
- Dust Mop a Room6-7
- Dust Mop Large Areas8-9
- Prepare Charging Bucket for Use10-11
- Damp Mop a Room with Charging Bucket12-13
- Use Rubbermaid PULSE™ for Damp Mopping14-15
- Wet Mop using Press or Pedal Wring Bucket16-17
- High Dust18-19
- Use High Absorbency Mop for Big Spill Pickup20-21
- Use the Pull Squeegee for Wet or Dry Pickup22-23
- Use 8 Sided Fold with Microfiber Cloths24-25
- Complete System Overview.....26-27



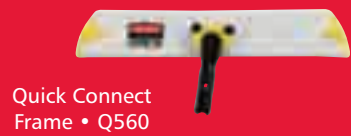
Rubbermaid HYGEN™ System provides innovative solutions and proven superior performance for maintaining healthy, safe environments.



HOW TO: USE ERGO ADJUSTABLE HANDLE



TOOLS



Quick Connect Frame • Q560



MF Damp Mop • Q410



MF Dust Mop with Fringe • Q418
MF Dry Room Mop • Q412



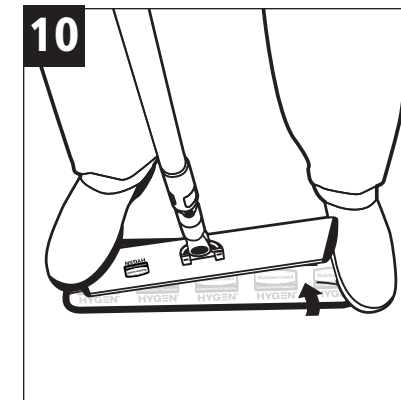
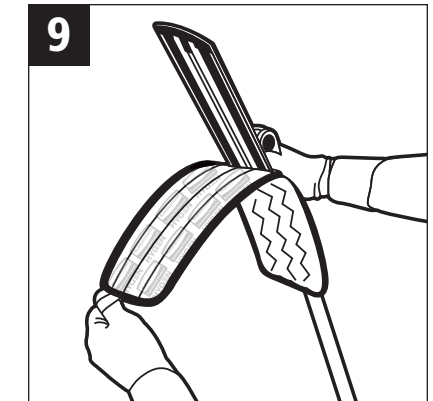
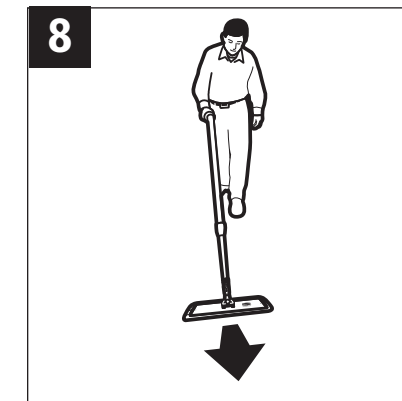
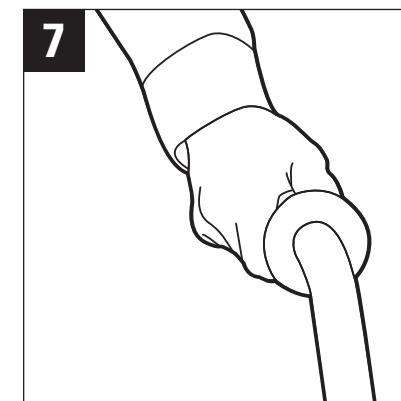
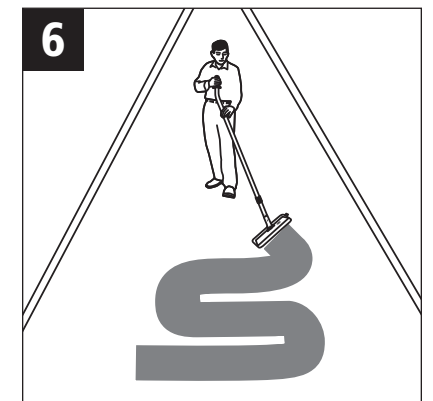
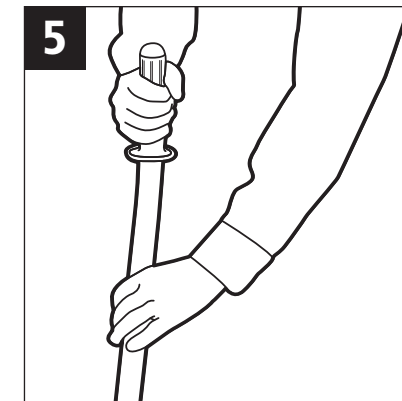
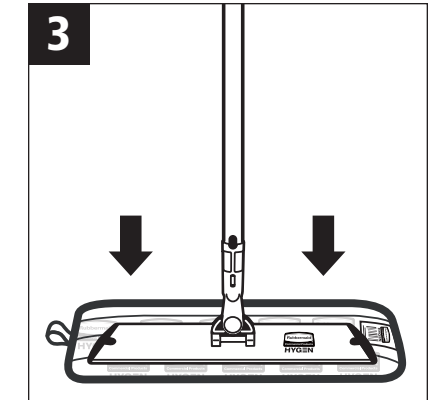
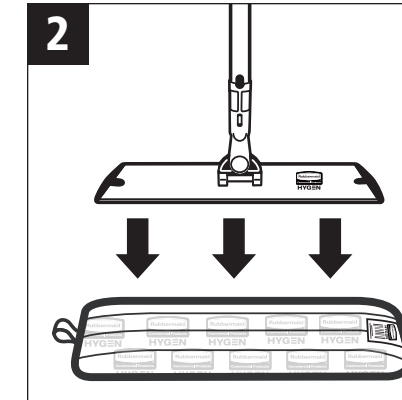
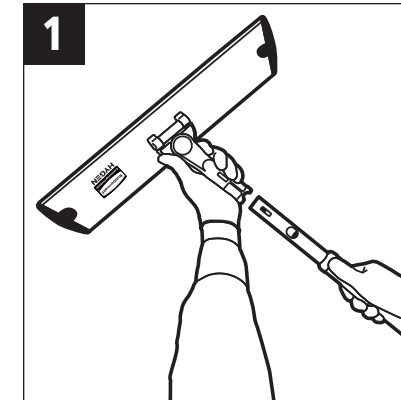
Ergo Adjustable Handle • Q760

PROCEDURE

Rubbermaid's Quick Connect Ergo Adjustable Handle helps minimize awkward hand positions when mopping.

- 1** Attach the Ergo Adjustable Handle to the Quick Connect Frame, ensuring the Quick Connect latch clicks into place.
- 2** Place damp mop pad or dust mop pad on floor with white, logo-imprinted backing side of the pad facing upward.
- 3** Push the Quick Connect Frame onto the pad.
- 4** Adjust handle length by loosening the black locking ring and extending or collapsing handle length to suit. When the handle tip aligns with the user's chin height, it is the deal length for general floor cleaning tasks. Retighten the locking ring before beginning to mop.
- 5 6** Clean floor using Figure 8 strokes. Working with the handle pointed upward is the most comfortable position for this cleaning technique.
- 7 8** For push-and-pull cleaning, working with the handle pointed downward may be the most comfortable position.
- 9** To remove a mop pad from the Quick Connect Frame, grasp the fabric loop and peel the pad away, or
- 10** Step on an exposed edge of the pad, and with the other foot on the opposite edge of the Quick Connect Frame, lift the handle, peeling the pad away.

TIP: Always dust mop prior to damp mopping to reduce floor hazing.



TIPS

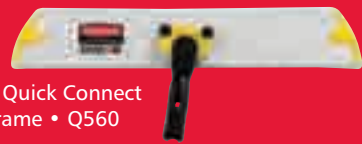
- Follow all established safety procedures.
- Wear all appropriate personal protective equipment (glasses, gloves, etc.).



HOW TO: DUST MOP A ROOM



TOOLS



18" Quick Connect Frame • Q560



18" MF Dust Mop with Fringe • Q418

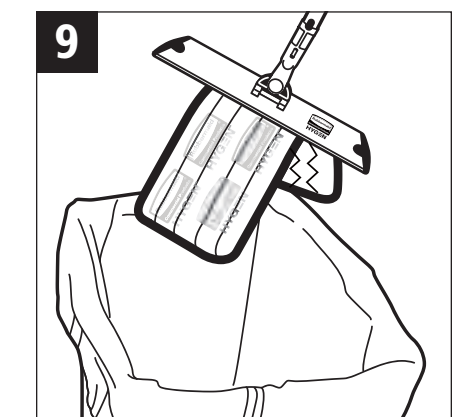
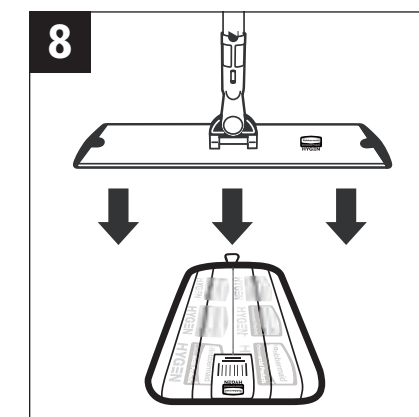
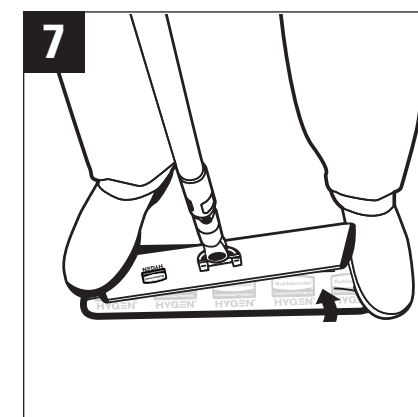
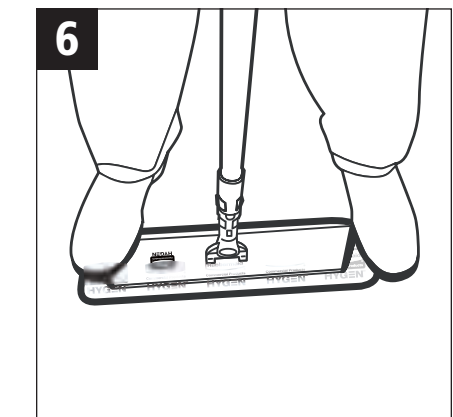
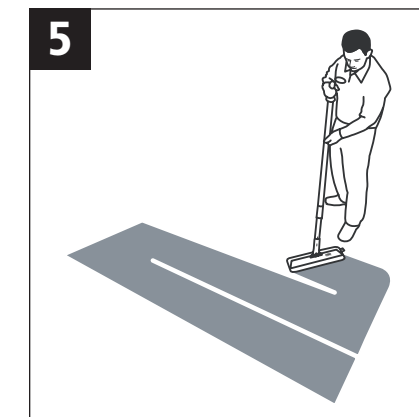
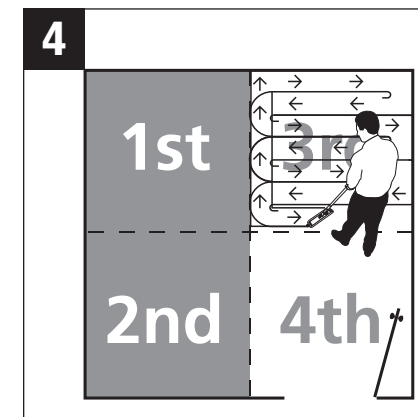
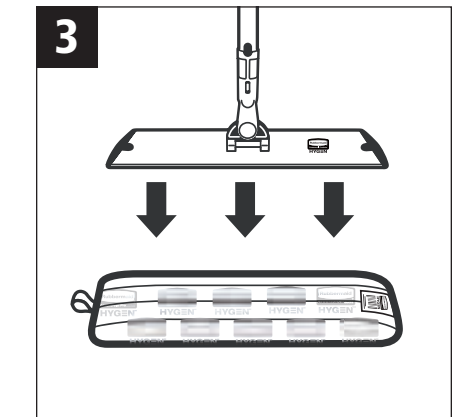
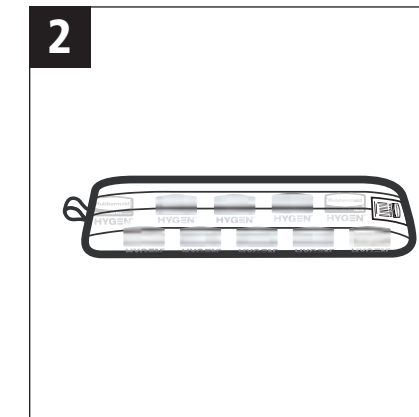
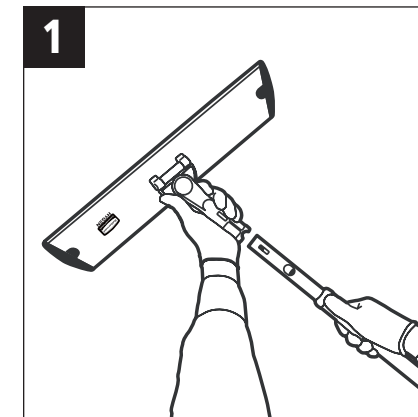


48" - 72" Quick Connect Straight Extension • Q755
48" - 72" Quick Connect Ergo Handle • Q760
58" Quick Connect Handle • Q750

PROCEDURE

- 1** Remove large debris from floor, clean up any wet spots or spills, and then affix the Quick Connect Handle to the 18" Quick Connect Frame, ensuring the latch clicks into place.
- 2** Attach a clean Q418 Dust Pad to the Quick Connect Frame by placing it on floor with white, logo-imprinted backing side of the pad facing upward.
- 3** Push the Quick Connect Frame onto the pad.
- 4** **5** Beginning at the far corner of the room, dust mop the floor using overlapping Figure 8 strokes, while moving backward toward the doorway.
- 6** When finished dusting the room, remove the pad from the frame using the step-on method:
- 7** Step on an exposed edge of the pad, and with the other foot on the opposite edge of the Quick Connect Frame, lift the handle, peeling the pad away.
- 8** **9** Use handle and frame to lift the soiled pad from the floor for deposit into laundry bag: position the Quick Connect Frame cross-ways to the pad, engage the hook-and-loop, lift and deposit.
- 10** Repeat steps 2 through 9 to clean each room.

Note: Microfiber has a natural static electric charge that helps attract and retain the tiniest dust particles.



TIPS

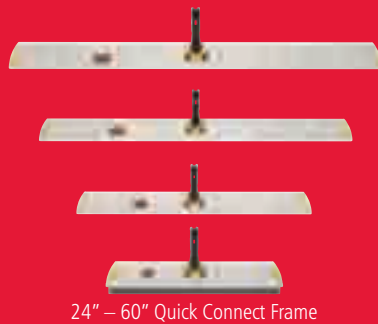
- Dust mop each room with a clean pad to help prevent cross transmission.
- Follow all established safety procedures.
- Wear all appropriate personal protective equipment (glasses, gloves, etc.).
- Dust Mopping helps reduce floor hazing.



HOW TO: DUST MOP LARGE AREAS



TOOLS



24" - 60" Quick Connect Frame



24" - 60" Fringed Dust Mops



48" - 72" Quick Connect Straight Extension • Q755
48" - 72" Quick Connect Ergo Handle • Q760
58" Quick Connect Handle • Q750

TIPS

- 100% Microfiber Mops are best for dusting—having the most fiber ends to grab and hold dust electrostatically as well as having the best surface contact.
- Follow all established safety procedures.
- Wear all appropriate personal protective equipment (glasses, gloves, etc.).

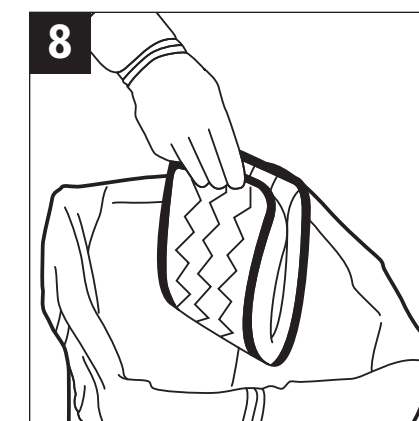
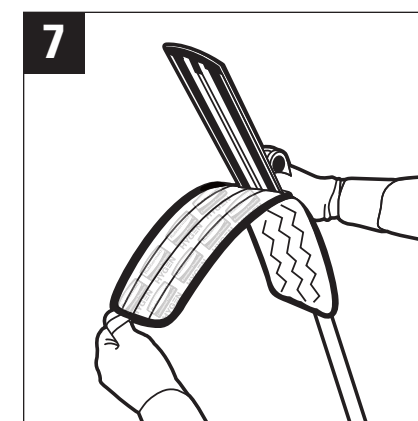
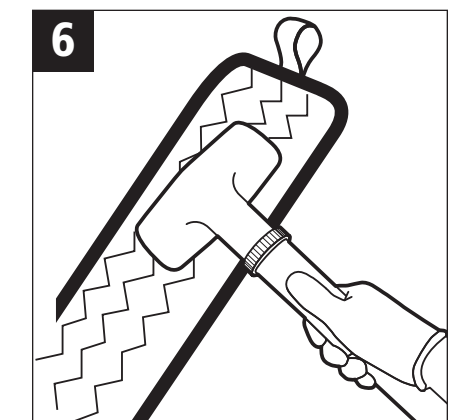
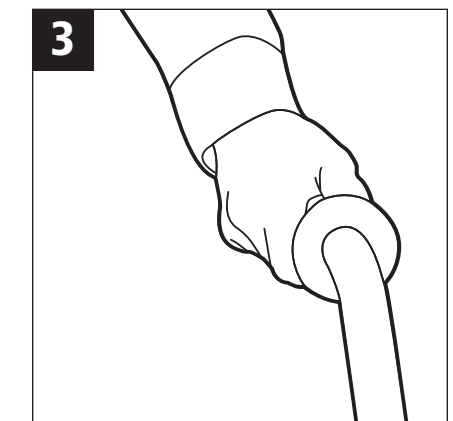
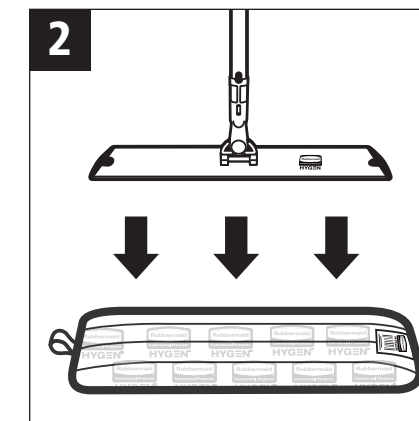
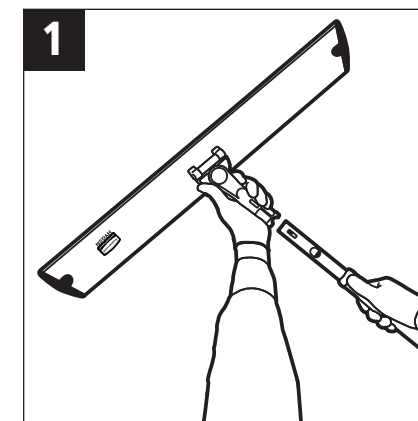
PREPARATION

- A** Pick up all large debris from floor.
- B** Be certain any wet spots are dried before dust mopping with Microfiber.
Reason: Microfiber dust mops are so dense with fiber and so absorbent that they will "stick" to wet spots making the mop difficult to push.
- C** Select a mop size that will complete the job in a minimum number of passes.
Example: If a hall is 60" wide, a 36" mop will complete the job in 2 passes. A 24" mop would require 3 passes. Therefore, the 36" mop is a more efficient and better choice.

PROCEDURE

- 1** Remove large debris from floor, clean up any wet spots or spills, and then affix the Quick Connect Handle to the 18" Quick Connect Frame, ensuring the latch clicks into place.
- 2** Attach a clean Dust Pad to the Quick Connect Frame by placing it on floor with white, logo-imprinted backing side of the pad facing upward.
- 3** Push the Quick Connect Frame onto the pad.
- 4** Beginning at the end of the hallway or the far corner of the room, dust mop the floor by pushing the mop along the floor along side of the wall.
- 5** Work your way across the room using overlapping mopping paths.
- 6** When the dust mop pad becomes loaded with dust, refresh it by vacuuming away the accumulated material, or by wiping it away with a damp sponge.
- 7** To remove a large dust mop pad from the Quick Connect Frame, grasp the pad by the fabric loop and peel away.
- 8** Deposit soiled mop pad into the laundry bag.

TIP: Select a mop size that will complete the task in the smallest number of passes. If a hallway is 60" wide, a 36" mop will clean it in 2 passes, but a 24" mop will require 3 passes, taking more time to clean the space.



HOW TO: PREPARE CHARGING BUCKET FOR USE



TOOLS



18" MF Damp Mop • Q410
One Per Assigned Room



Charging Bucket • Q950,
Plus Cleaning
Solution of Choice

PROCEDURE

Each Charging Bucket holds up to 20 damp mop pads: enough for 20 rooms at 1 mop pad per room.

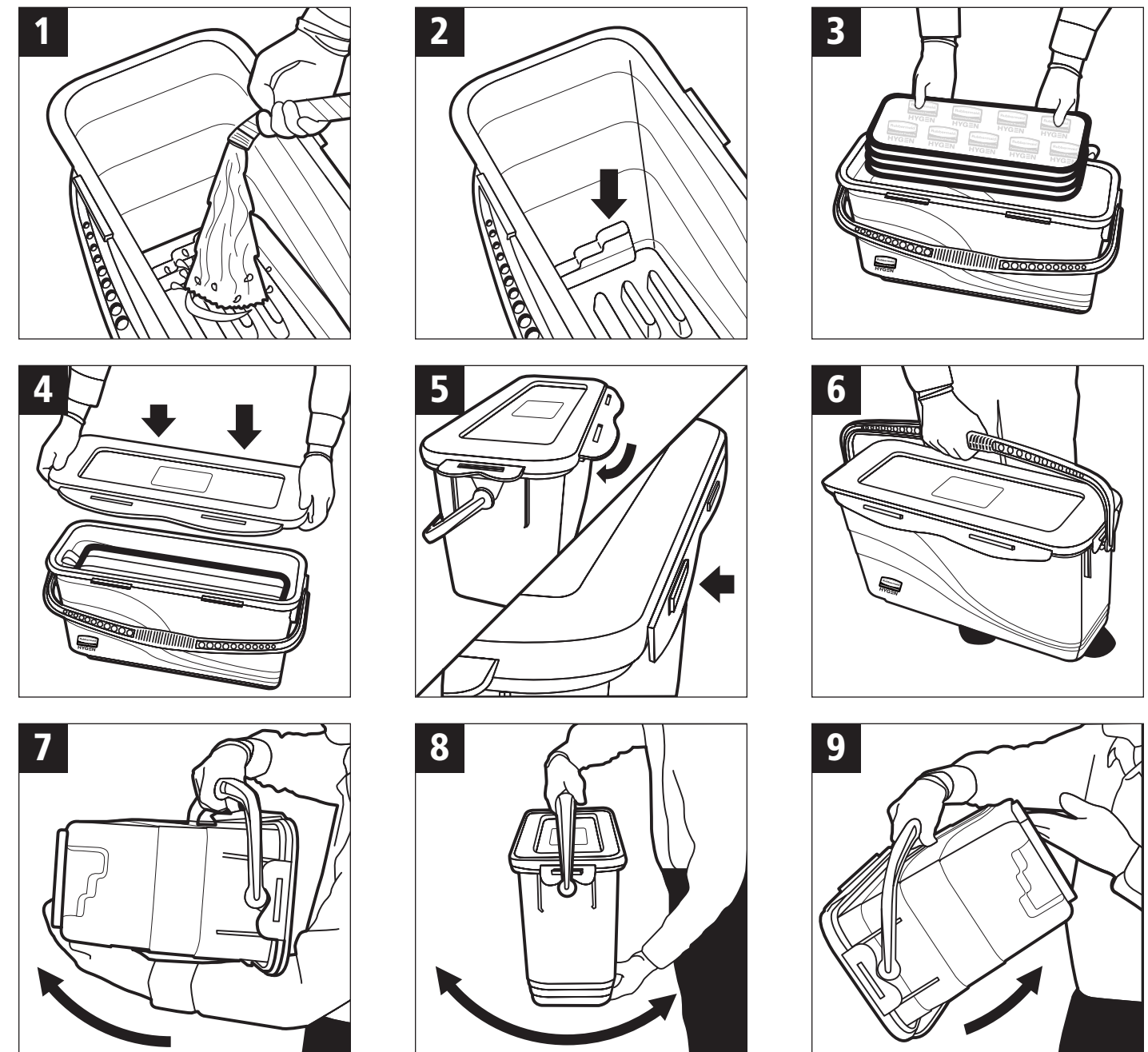
1 2 Add water and /or cleaning solution to the Charging Bucket. Each of the Step Guides inside the Charging Bucket shows the fluid level for 1 quart. 1 quart is enough solution to saturate 5 mop pads.

3 Place mop pads in the Charging Bucket with the blue cleaning side down, the white, logo-imprinted backing side of the pad facing upward.

4 5 Secure the leak-proof lid to the Charging Bucket by snapping closed the end tabs first, then the side tabs.

6 7 8 9 Flip the Charging Bucket upside down for 5 – 10 minutes, allowing the cleaning solution to saturate all of the pads. The mopping pads are now ready for use.

Note: The underside of the Charging Bucket lid has recommended cleaning solution amounts for use with quantities of 10, 15, and 20 mop pads.



TIPS

- Follow all established safety procedures.
- Wear all appropriate personal protective equipment (glasses, gloves, etc.).
- Do not over fill.



HOW TO: DAMP MOP A ROOM WITH CHARGING BUCKET



TOOLS



18" Quick Connect Frame • Q560



18" MF Damp Mop • Q410
One Per Assigned Room



Quick Connect Handle of Choice



Safety Sign • 9S09



Charging Bucket • Q950
Plus Cleaning or Disinfecting Solution of Choice

PROCEDURE

- 1** Place floor safety sign at the entrance to the room being cleaned. Ensure that the floor (including beneath beds and furniture) has been dusted prior to beginning damp mopping.
- 2** Ensure that Quick Connect Handle is properly affixed to the 18" Quick Connect Frame.
- 3** Open the Charging Bucket.
- 4** Center the Quick Connect Handle and Frame over the loaded Charging Bucket, then push downward to attach the top mop pad via the hook-and-loop connection.
- 5** Lock the lid back onto the Charging Bucket.
- 6** Beginning at the far corner of the room, mop the floor using overlapping Figure 8 strokes, while moving backward toward the doorway. Remember to clean beneath beds and furniture.
- 7** **8** When finished mopping the room, or when the mop pad is dry, remove the soiled mop pad from the frame by placing one foot on the exposed edge of the mop pad and the other foot on the end of the Quick Connect Frame. Pull the handle upward and the mop pad will peel away from the Quick Connect Frame.
- 9** Lift the soiled mop pad using the Quick Connect Frame, positioned at 90° to the pad.
- 10** The mop pad ends now fold downward and can be easily pulled from the frame and dropped into the laundry bag.

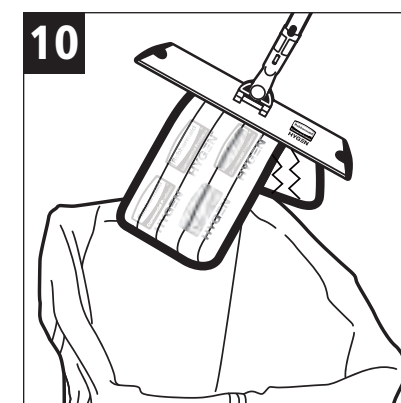
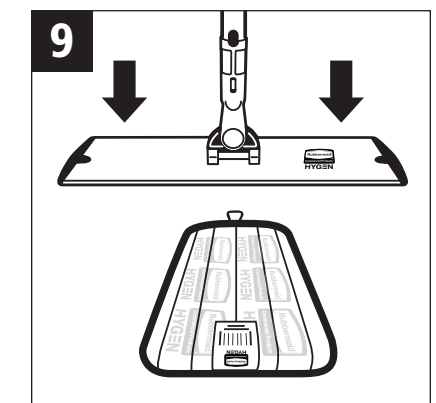
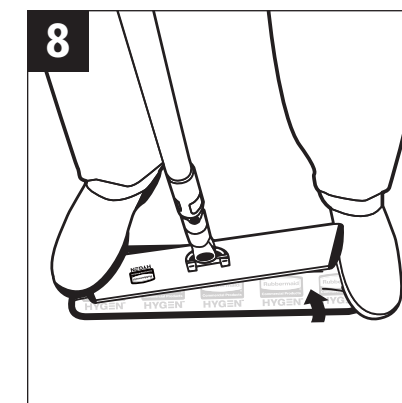
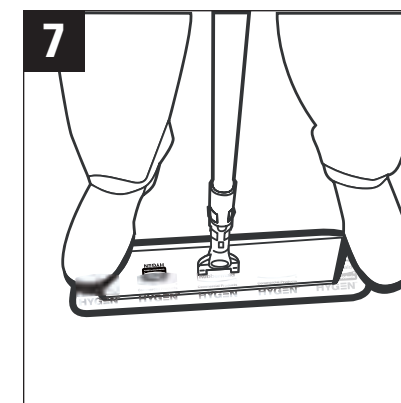
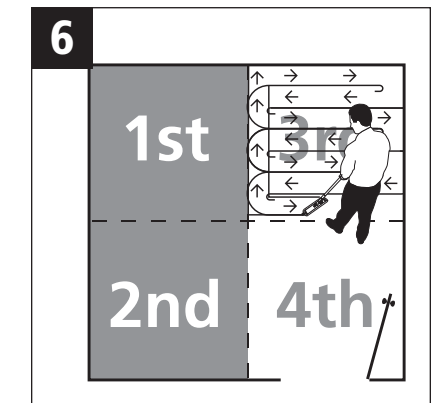
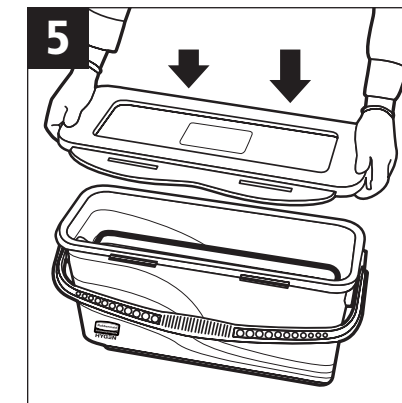
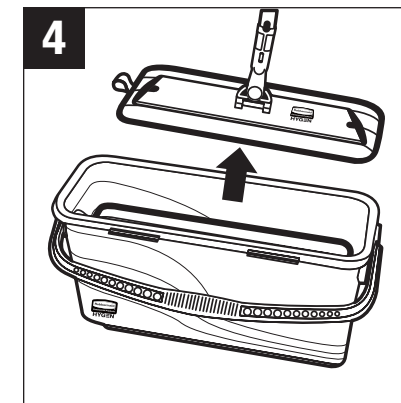
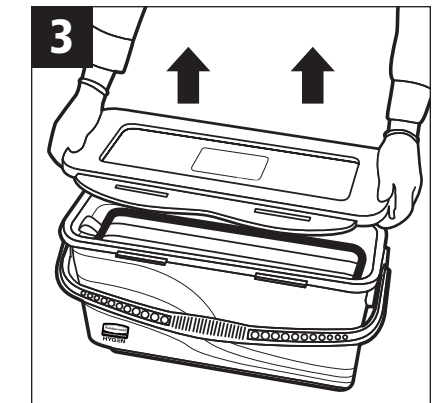
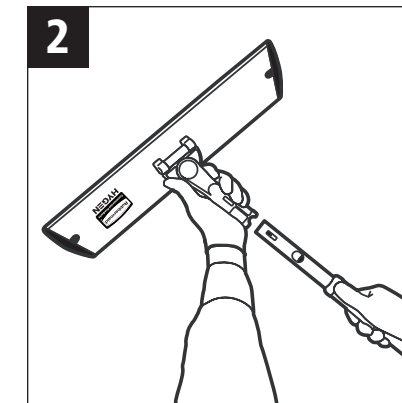
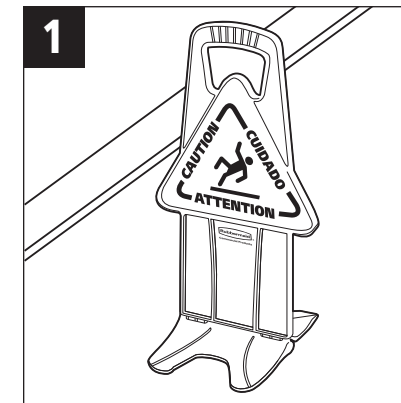
Properly charged pad hold enough cleaning solution to clean a standard sized room – approximately 250 square feet. Oversized rooms may require a second mop pad.

Note: The Charging Bucket is safe for use with all type of floor cleaning chemicals including bleach, hydrogen Peroxide and D-Limoning based solutions.

All cleaning tools shown here are MRI Safe Tools

TIPS

- Damp mopping each room with a clean mop helps prevent cross-transmission.
- Follow all established safety procedures.
- Wear all appropriate personal protective equipment (glasses, gloves, etc.).
- Dust mop before damp mopping to reduce hazing.



HOW TO: USE RUBBERMAID PULSE™ FOR DAMP MOPPING



TOOLS



Rubbermaid PULSE™ • Q969



18" MF Damp Mop • Q410
18" Microfiber Scrubber Mop • Q810
18" MF High Absorbency Mop • Q416



Safety Sign • 9509

High Security Cleaning Cart • 9T75



Rubbermaid PULSE™ Caddy • Q966

PREPARE RUBBERMAID PULSE™ FOR USE

- 1 Attach the Q560 Quick Connect Frame to the Rubbermaid Pulse Stick.
- 2 Attach the damp mopping pad to the Q560 Frame.
- 3 Fill Rubbermaid Pulse Caddy with cleaning solution.
NOTE: DO NOT USE RUBBERMAID PULSE™ WITH BLEACH OR D'LIMONINE-BASED CLEANING SOLUTIONS.
- 4 Place Rubbermaid Pulse Caddy atop the Rubbermaid HYGEN™ System Cleaning Cart.
- 5 Upon arriving at cleaning site, plug the Rubbermaid Pulse Caddy Clean Connect hose into the Rubbermaid Pulse Clean Connect cap fitting to fill the reservoir on the stick. Cleaning solution will automatically cease flowing into the reservoir when it is full. Clean Connect technology will prevent drips when it is disconnected.

NOTE: If air in the Rubbermaid Pulse reservoir bag impedes the flow of liquid from the Rubbermaid Pulse Caddy via the Quick Connect hose, a simple solution is to perform a manual fill of the reservoir. Subsequent fills can be accomplished with the Quick Connect system.

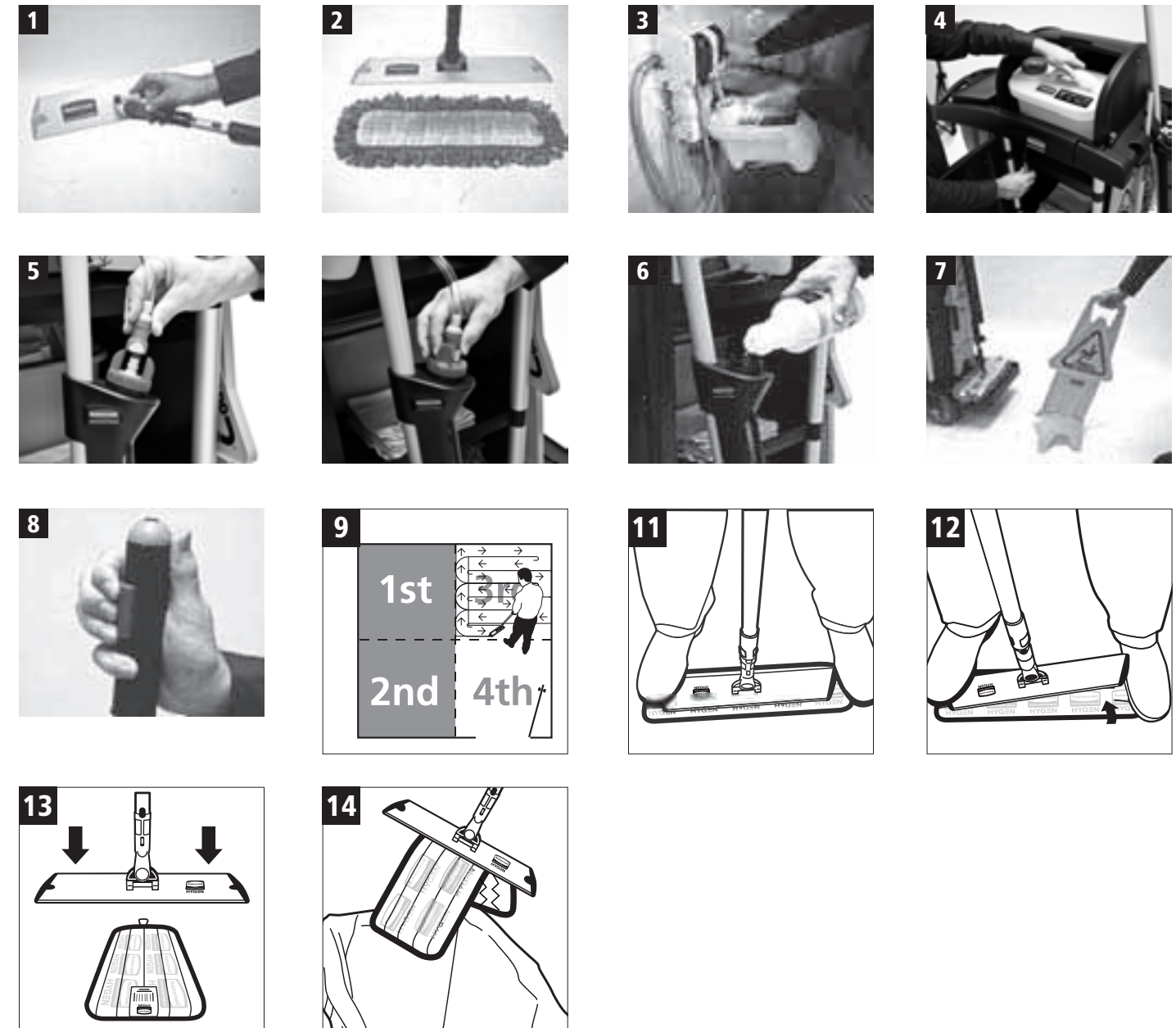
- 6 Manual filling (without using the Rubbermaid Pulse Caddy): open the red cap at the top of the Rubbermaid Pulse reservoir, fill the reservoir and replace the cap.

DAMP MOPPING WITH RUBBERMAID PULSE™

- 7 Place floor safety sign to alert pedestrians of the potential slip and fall hazard.
- 8 Starting in the far corner of the room, expel enough cleaning solution onto floor to moisten the damp mopping pad by pressing the red trigger button in the handle of the Rubbermaid Pulse stick.
- 9 Mop, moving backwards, using Figure 8 strokes.
- 10 As the mop becomes dry, press the trigger to expel more cleaning solution.
- 11 12 When finished cleaning a room, or when a pad is loaded with soil, remove the pad by stepping on an exposed edge of the pad, and with the other foot on the opposite end of the frame, then lifting the handle and frame upward.
- 13 Pick up soiled pad by turning the frame 90° to the pad, then touching it to the mop to lift off of the floor.
- 14 The mop pad will droop, folding downward, and can be easily remove from the frame and dropped into the laundry bag.

TIPS

- Use Q416 High Absorbency Mop to clean larger areas. Change high absorbency mop every time Rubbermaid PULSE™ needs to be refilled (21 oz.).
- Use Q810 Scrubber Mop on tile or stone floors.
- Dust mop before damp mopping to reduce hazing.



HOW TO: WET MOP USING PRESS OR PEDAL WRING BUCKET



TOOLS



18" Quick Connect Frame • Q560

18" MF Damp Mop • Q410
18" MF High Absorbency Mop • Q416



Quick Connect Handle of Choice

Safety Sign • 9509



Pedal Wring Mini-Cart • Q925

Press Wring Bucket • Q900-88

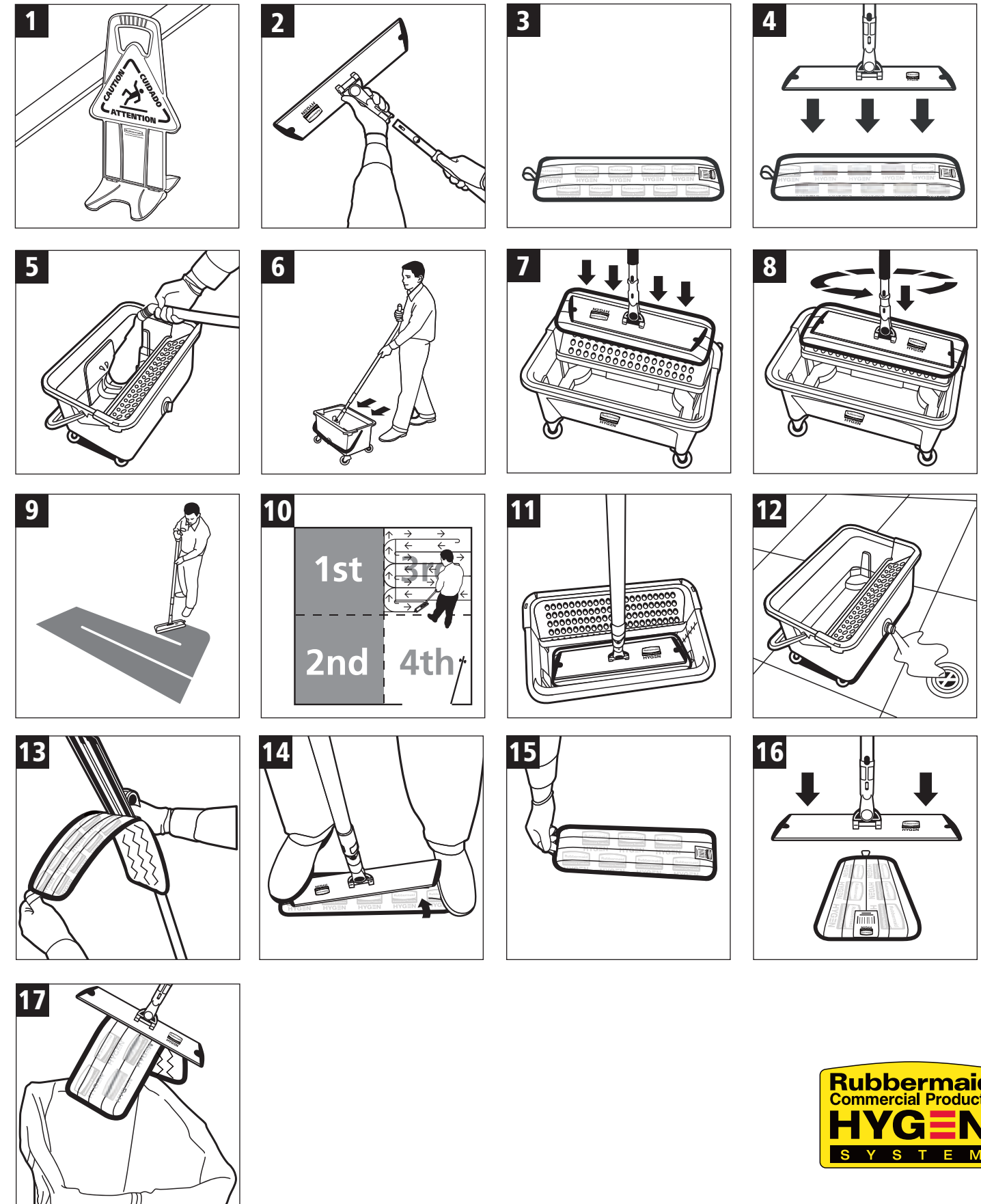
TIPS

- Follow all established safety procedures.
- Wear all appropriate personal protective equipment (glasses, gloves, etc.).
- Use High Absorbency mop pad to clean up messy spills or dirty floors.

Note: this system is intended for use in areas requiring flood (wet) cleaning. It is not effective in areas requiring fast floor drying times.

PROCEDURE

- 1 Place Floor Safety Signs between work area and pedestrian access points.
- 2 Affix Quick Connect Handle to 18" Quick Connect Frame.
- 3 Place a clean, dry Q410 Wet Mop Pad or a Q416 High Absorbency Mop Pad on the floor with the white, logo-imprinted side facing upward.
- 4 Push the Quick Connect Frame onto the mop pad.
- 5 Fill the bucket with the desired amount of cleaning solution.
- 6 Position the Quick Connect Frame into the bucket in a manner that will enable you to use the Quick Connect Handle to steer the bucket to the cleaning site.
- 7 Position the Quick Connect Frame, with mop pad attached, onto the sieve. Holding the handle upright, push downward to compress the wet pad against the sieve to expel excess cleaning solution.
- 8 Rotate the Quick Connect Frame with mop pad attached 180°, and repeat step 7 to complete wringing.
- 9 10 Mop the floor using Figure 8 strokes, rewetting the mop pad as necessary until the floor has been completely cleaned.
- 11 If the mop pad becomes heavily soiled, the use the washboard-molded surface inside the front of the bucket to dislodge soil.
- 12 When the job is complete, empty the cleaning solution remaining in the bucket into a floor drain using the twist valve on the backside of the bucket.
- 13 Remove soiled mop pads from the Quick Connect Frame utilizing one of the methods pictured in steps 13 through 17, at left.



HOW TO: HIGH DUST



TOOLS

11" Microfiber
Flexi Frame • Q855

Flexi Frame
Hi Pile Refill
• Q861

Flexible Wand
• Q850/Q852



Q745 - 20" - 40"
Q755 - 48" - 72"
Q765 - 4' - 8'
Q770 - 6' - 12'
Q770 - 6' - 18'

TIPS

- To use traditional threaded tools, use item Q701 Acme - Quick Connect Adaptor.
- Do not move locations with poles fully extended
- Follow all established safety procedures; do not use near electrical wiring
- Wear all appropriate personal protective equipment

PROCEDURE

- 1 Select the appropriate length Quick Connect Extension Handle for the task. Remember, the longer the handle, the heavier it will be.
- 2 Select the appropriate dusting frame: the Q855 Flexi Frame for flat or concave surfaces, the Q850 or Q852 Flexible Dusting Wand for irregular surfaces.
- 3 Select the appropriate Dusting Cover for the task: Q856 or Q850 Green Dusting Covers for light/fine dusting, Q861 or Q852 for heavy dusting.
- 4 If using Q850, bend to shape of surface being cleaned.
- 5 Affix Flexi Frame or Flexible Wand to Quick Connect handle or pole.
- 6 Extend handle/pole to the desired length.
- 7 Lock the handle/pole by twisting the collar clockwise until snug.
- 8 Dust surface, keeping both hand on the handle/pole and both feet securely on the ground.
- 9 When the task is complete, twist the collar counter-clockwise to retract the handle/pole.

FLEXI FRAME



FLEXIBLE WAND



HOW TO: USE HIGH ABSORBENCY MOP FOR BIG SPILL PICKUP



TOOLS



18" Quick Connect Frame • Q560



18" Microfiber High Absorbency Mop • Q416



Quick Connect Handle of Choice



Safety Sign • 9S09



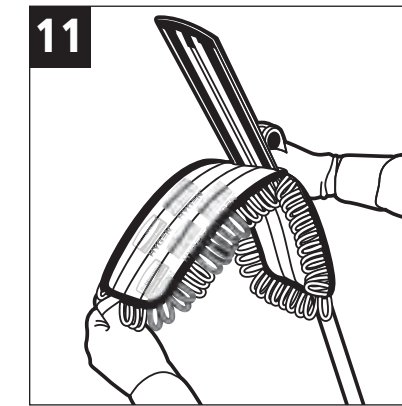
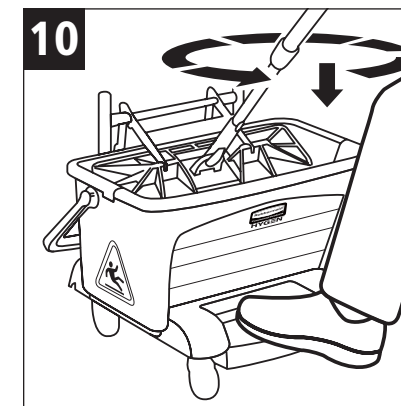
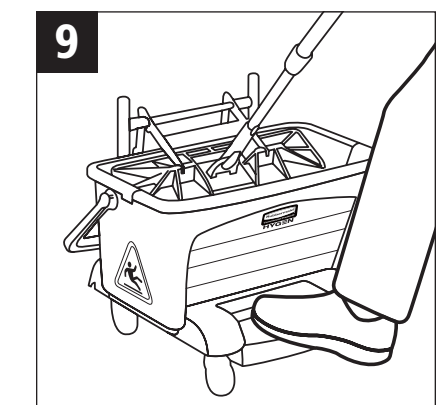
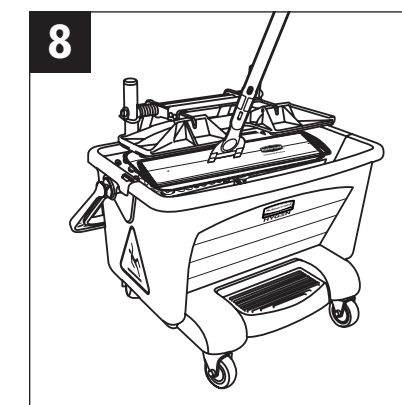
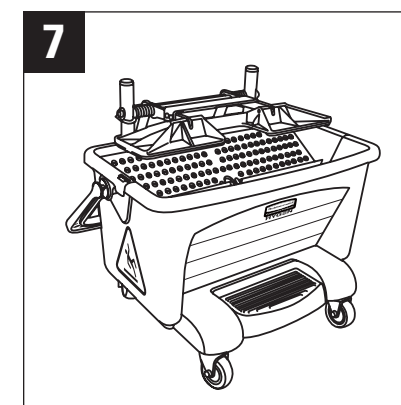
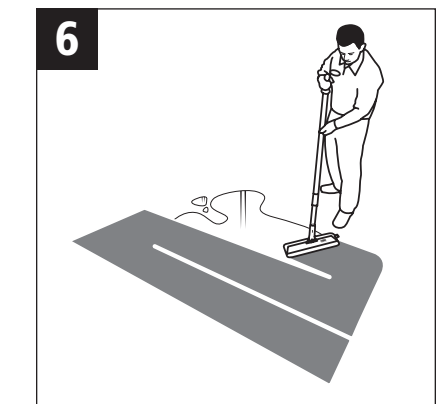
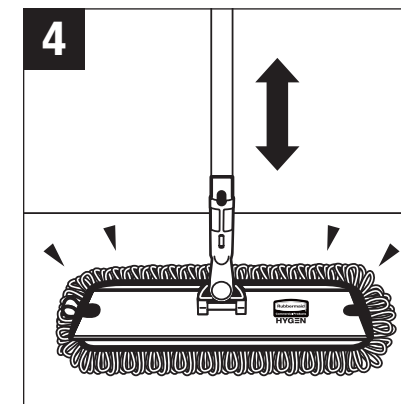
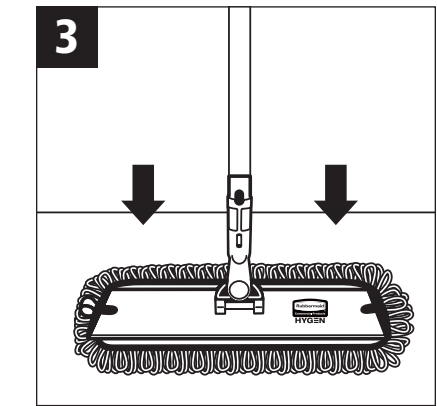
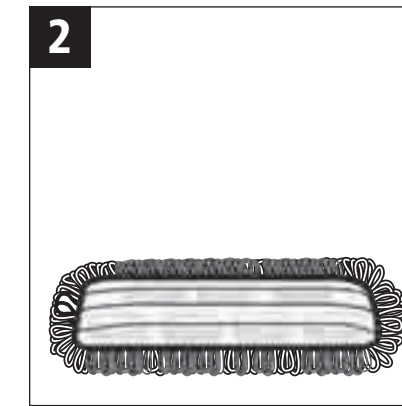
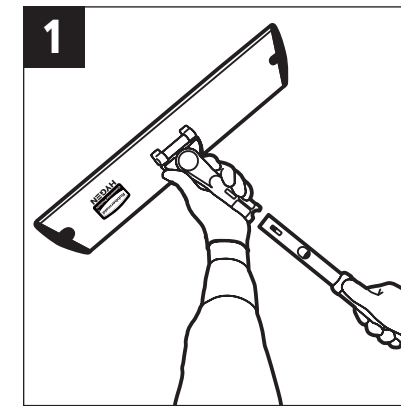
Pedal Wring Mini-Cart • Q925



Press Wring Bucket • Q900

PROCEDURE

- 1** Affix Quick Connect Handle to 18" Quick Connect Frame.
- 2** **3** Affix the Q416 High Absorbency Pad to the Quick Connect Frame by placing the pad on the floor, white, logo-imprinted side facing upward. Push the Quick Connect Frame firmly onto the pad to engage the hook-and-loop connections.
- 4** Press the frame onto the mop pad another time or two to ensure a really solid connection. When the mop pad is loaded with liquid, it will be significantly heavier. Making a strong connection will help keep the pad on the frame, saving time and effort while cleaning.
- 5** Place floor safety signs between work area and pedestrian access points.
- 6** Mop up spills using Figure 8 strokes, working the spill backward until it is absorbed into the mop pad.
- 7** When the mop pad is saturated and no longer absorbing the spill, wring the pad using the Pedal Wring Bucket.
- 8** Position the pad onto the sieve plate, ensuring that the fringe is curled beneath the pad.
- 9** Step on the pedal to activate the wringer plate.
- 10** Rotate the mop 180° and repeat steps 8 and 9.
- 11** When the spill has been eliminated, rinse mop in utility sink and remove pad for laundering.



TIPS

- Follow all established safety procedures.
- Wear all appropriate personal protective equipment (glasses, gloves, etc.).



HOW TO: USE THE PULL SQUEEGEE FOR WET OR DRY PICKUP



TOOLS



24" Quick Connect Frame with Squeegee • Q570



24" MF Wet Pad



Lobby Pro®
Dustpan • 2531



Safety Sign • 9509

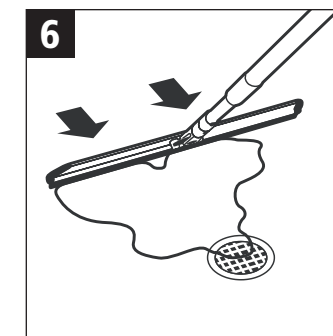
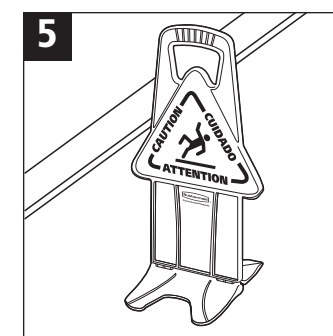
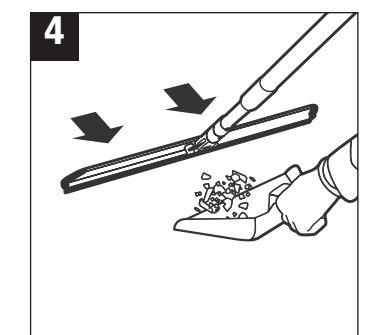
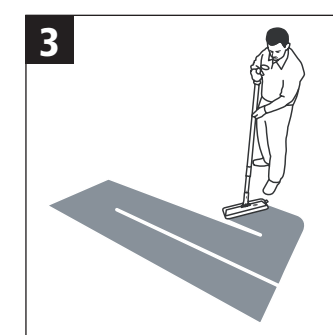
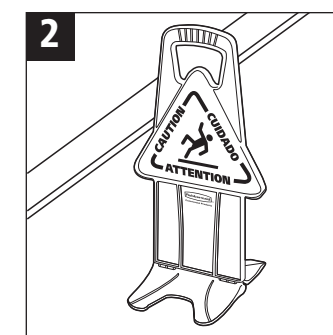
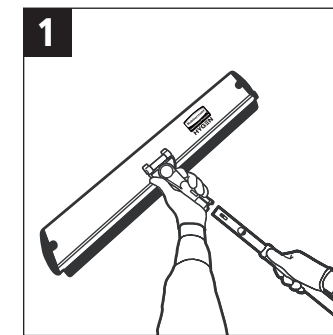


48" - 72" Quick Connect Straight Extension • Q755
48" - 72" Quick Connect Ergo Handle • Q760
58" Quick Connect Handle • Q750

PROCEDURE

- 1** Affix the Q570 24" Quick Connect Frame with Squeegee to a Quick Connect Handle.
- 2** For collection of dry debris, place floor safety signs between work area and pedestrian access points.
- 3** Squeegee the floor using Figure 8 strokes, working backward through floor area you are cleaning.
- 4** Pull debris into a Rubbermaid Lobby Pro Dust Pan (2531) for removal.
- 5** For liquid collection and removal, position floor safety signs between work area and pedestrian access points.
- 6** Squeegee liquid to a nearby floor drain, if available, or utilize a 24 "wet mop pad for absorption and transfer of the liquid into a pedal wring or press wring bucket. (See How To Use A High Absorbency Pad For Big Spill Pick-Up).

ATTACH QUICK CONNECT HANDLE TO SQUEEGEE



TIPS

- Follow all established safety procedures.
- Wear all appropriate personal protective equipment (glasses, gloves, etc.).



HOW TO: USE 8 SIDED FOLD WITH MICROFIBER CLOTHS



TOOLS



PROCEDURE

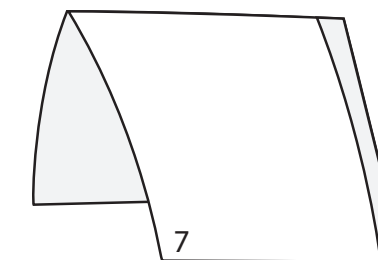
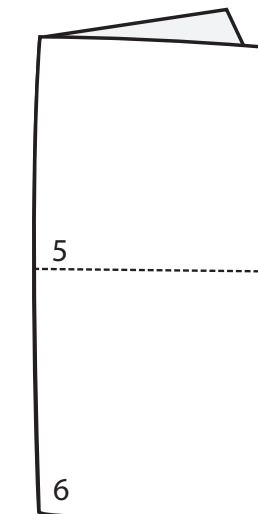
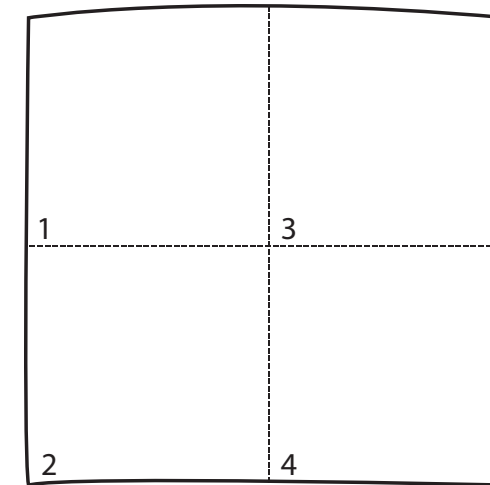
Using the 8-sided fold approach to cleaning with a Rubbermaid HYGEN™ Microfiber Cloth ensures that you get the benefits of maximum effectiveness and productivity.

Cleaning with a fresh portion of your Rubbermaid HYGEN™ Microfiber Cloth as you move from surface to surface is your surest method of reducing cross-transmission, where contaminants picked up from one surface can potentially be re-deposited on the next surface.

- 1** Fold your clean Rubbermaid HYGEN™ Microfiber Cloth in half, and then in half again, resulting in a square-shaped pad with 4 layers of cloth. Each layer has two sides, for a total of 8 sides.
- 2** As you clean, keep track of the side with which you are cleaning. By turning the cloth over to the opposite side, you have a fresh cleaning surface.
- 3** Once the front and back of your folded square pad have been used, open the cloth to expose two fresh surfaces, then refold so that those surfaces are exposed as front and back of your folded pad.
- 4** When those surfaces have been used, you will have utilized all 4 quarters of a single side of the cloth. Opening the cloth entirely, and refold, with the used surfaces folded to the inside, and fresh, unused surfaces to the outside.
- 5** Repeating steps 2 and 3, you will utilize all 8 of the clean quarters of your microfiber cloth.

TIPS

- Color coding can help prevent cross transmission
- Assign each color to a specific area or task:
 - Yellow: Bathrooms
 - Blue: General Wet Cleaning
 - Red: Hazardous/High Risk Areas
 - Green: Dry Dusting
 - Light Blue: Glass
- Do not over saturate cloths



RUBBERMAID HYGEN™ COMPLETE SYSTEM



Q410 COLOR-CODED DAMP MOPS

Colored edge tape allows quick identification by use or area and reduces cross-transmission.

Q415 DAMP MOP WITH SCRUBBER

Underside features scratch-resistant scrubber flap for removing stubborn spots and heel marks.

Q416 HIGH ABSORBENCY MOP

Ultra-absorbent fringed mop absorbs up to 24 oz of liquid.

Q810 SUPER SCRUBBER MOP

Vertical scrubber stripes reach into recesses to clean tile grout and remove sticky spots and dried-on foods.

Q891 FLEXI FRAME DAMP MOP

For general damp cleaning, with or without chemicals.

Q861 FLEXI FRAME HIGH PERFORMANCE MOP

Can be used damp or dry.

Q871 FLEXI FRAME GLASS MOP

Specially designed for streak-free glass cleaning.

Q881 FLEXI FRAME SCRUBBER MOP

Scrubber stripes clean stubborn dirt and soap scum on tub and tile surfaces.

Q856 FLEXI FRAME DUST MOP

Picks up fine dust and debris. For dry use only.



DAMP MOPS

FLEXI FRAME CLEANING

Q850 FLEXIBLE WAND MICROFIBER DUSTING TOOL

Picks up fine dust and debris. For dry use only.

Q852 HIGH PERFORMANCE FLEXIBLE WAND DUSTING TOOL

Cleans heavily soiled areas and picks up hair and larger debris. Can be used damp or dry.

FRINGED DUST MOPS

Premium looped end construction reduces linting and improves dust pickup. Available in 18" to 60" widths. For dry use only.

ROOM AND HALL DUST MOPS

Available in 18" to 48" widths.



DRY DUSTING



Rubbermaid PULSE™

Clean more square feet in less time with Rubbermaid PULSE™. Industry-best microfiber, on-board reservoir, and user-controlled release of solution mean more efficient cleaning and lower labor costs.

CLEANS UP TO
10,000
square feet*



Q969 RUBBERMAID PULSE™ FLOOR CLEANING KIT

Includes: Trigger Handle with Fluid Reservoir and One 18" Microfiber Quick-Connect Frame.

NON-SLIP TIPS

When placed against a wall, these tips help prevent the handles from sliding and falling (standard on all Quick-Connect handles and poles).

- Q745 20 inch pole extends to 40 inches.
- Q755 Extends from 4 to 6 feet.
- Q765 Extends from 4 to 8 feet.
- Q770 Extends from 6 to 12 feet.
- Q775 Extends from 6 to 18 feet!

QUICK CONNECT HANDLES & FRAMES

Q650 ALL PURPOSE

Q651 GLASS/MIRROR MITT

Q652 DUSTING MITT

Q610 YELLOW BATHROOM 16" X 16" MICROFIBER CLOTH

For bathroom and general purpose cleaning.

Q620 GENERAL PURPOSE 16" X 16" MICROFIBER CLOTHS

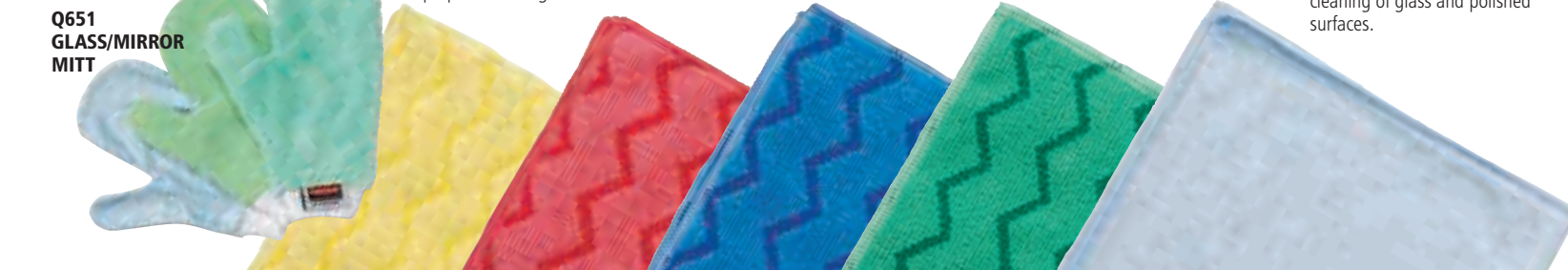
Red, blue, and green cloths for general purpose cleaning.

Q640 EXTRA-LARGE GREEN 20" X 20" MICROFIBER CLOTH

For spill clean up and larger area cleaning.

Q630 GLASS 16" X 16" MICROFIBER CLOTH

Smooth, blue knit for no-lint cleaning of glass and polished surfaces.



CLOTHS & MITTS

Q950 CHARGING BUCKET

Designed especially for healthcare damp mopping. Mops wick just enough liquid for damp cleaning with quick dry time.

CLEANS UP TO
5,000
square feet*



Q900-88 PRESS WRING BUCKET

For use with microfiber flat mops up to 18" in length, when flood cleaning or heavier liquid lay-down is desired.

- Press sieve provides easy, no-touch wringing
- Smooth, non-porous plastic for easy cleaning
- Fits on 9T73 Rubbermaid HYGEN™ Cleaning Cart



Q920 PEDAL WRING BUCKET

Suitable for wet mopping and floor cleaning, when flood cleaning or heavier liquid lay-down is desired, such as terminal cleaning an operating room or stripping a floor.

- Foot pedal enables hands-free, sanitary operation of wringer
- Quiet Casters provide non-marking, quiet operation
- Mini-Cart can carry a full system of microfiber cleaning products



BUCKETS

Rubbermaid HYGEN™ Laundering

Detergent and Mop Load by Machine Size for Microfiber

Washer Size	Max Volume	Detergent Load	18" pads per load
60 lb. / 27.2 kg	71.8 gal. / 272L	1.5 oz. / 44.4ml	130
81.6 lb. / 37 kg	97.8 gal. / 370L	2.0 oz. / 59.2ml	175
101.4 lb. / 46 kg	121.3 gal. / 1014L	2.5 oz. / 73.9ml	220
125 lb. / 56.7 kg	150.6 gal. / 570L	3.1 oz. / 91.7ml	270
141.4 lb. / 64.3 kg	169.6 gal. / 642L	3.5 oz. / 103.5ml	305
174.8 lb. / 79.3 kg	201 gal. / 761L	4.2 oz. / 124.2ml	375

Detailed Laundering Instructions

Washing

Hot Water Method

- Wash in HOT water
- Use ½ the manufacturer's recommended load of detergent¹
- Use appropriate capacity setting
- Do not use fabric softener
- Use bleach if desired (required in health care if water does not reach at least 160 °F)



Cold Water Method

- Same as above, except using cold water

Detergent

- When laundering microfiber, use only 50% of the detergent that would be normally be used when washing cotton products such as towels. If the full load of detergent is used, hazy floors may result.

Drying

- Dry on low heat setting

Tip: Manage inventory with U210 laundry bag. Assign each housekeeper a bag filled with their microfiber. Wash IN the bag to reduce theft.



Smarter Cleaning for Health

A **NewellRubbermaid** Company

©2009 by Rubbermaid Commercial Products LLC
3124 Valley Avenue, Winchester, VA 22601
02/09 MP 4.1M SM746

Printed on Recycled Paper

Customer Service: 1-800-347-9800
www.rubbermaidcommercial.com

Work Smarter.

